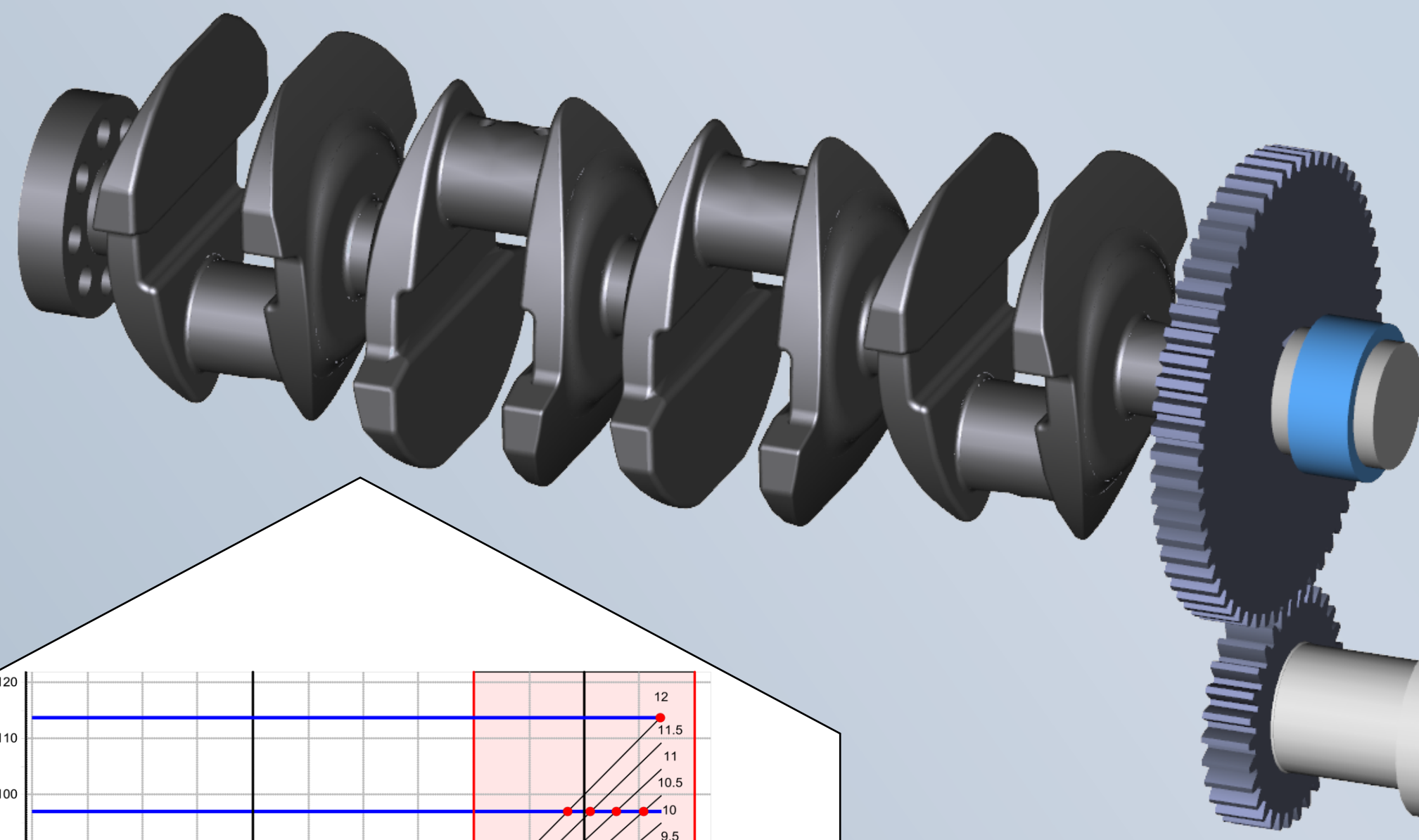




# HEXAMECA

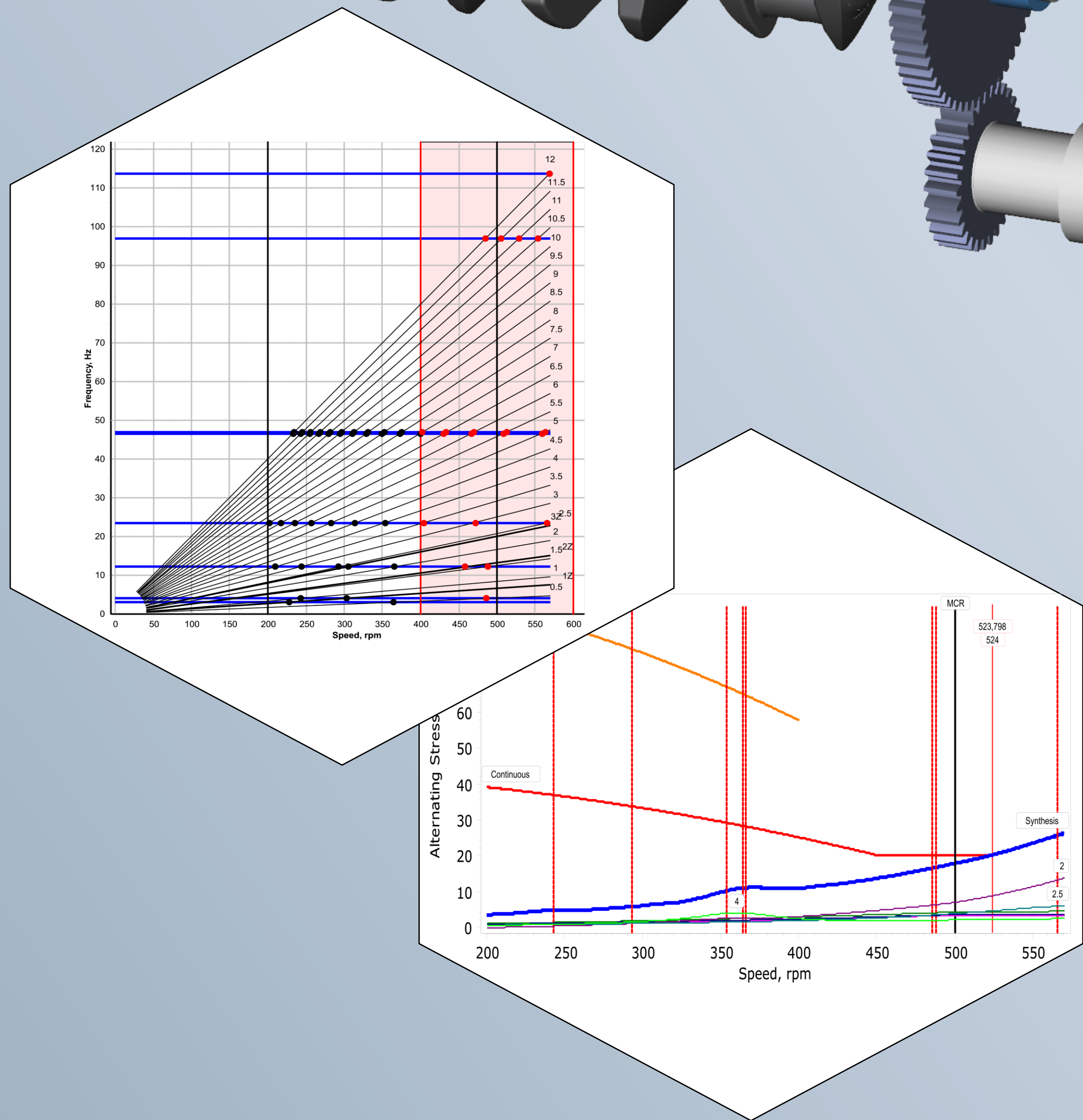
Mechanical engineering consultancy  
Numerical simulation & marine propulsion - TVC

## Torsional vibration calculations



TVC are carried out for **power transmission systems** in the **marine sector**

These studies identify critical speeds, assess vibratory stresses and **help secure the shaft line** under normal operating conditions

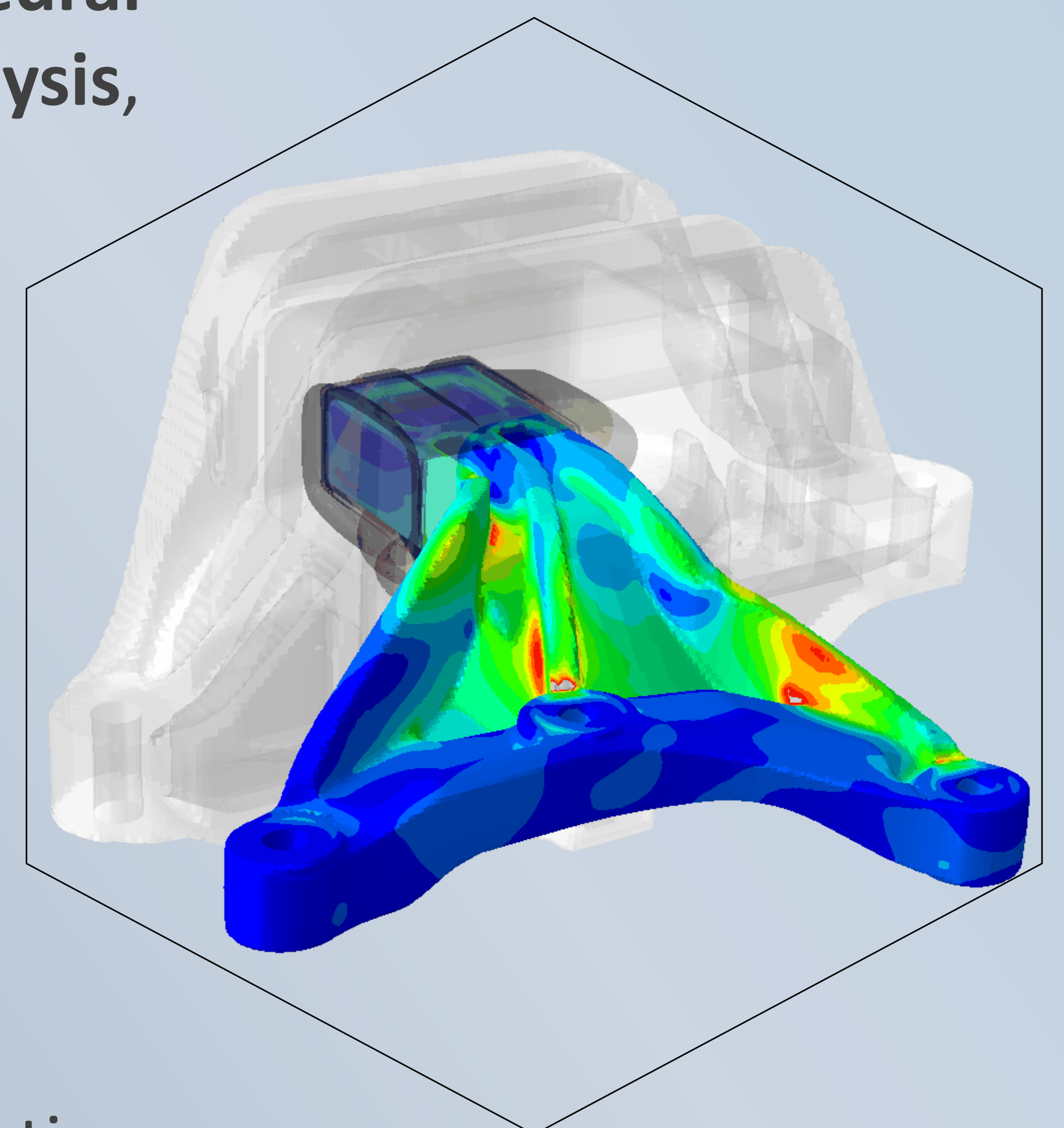
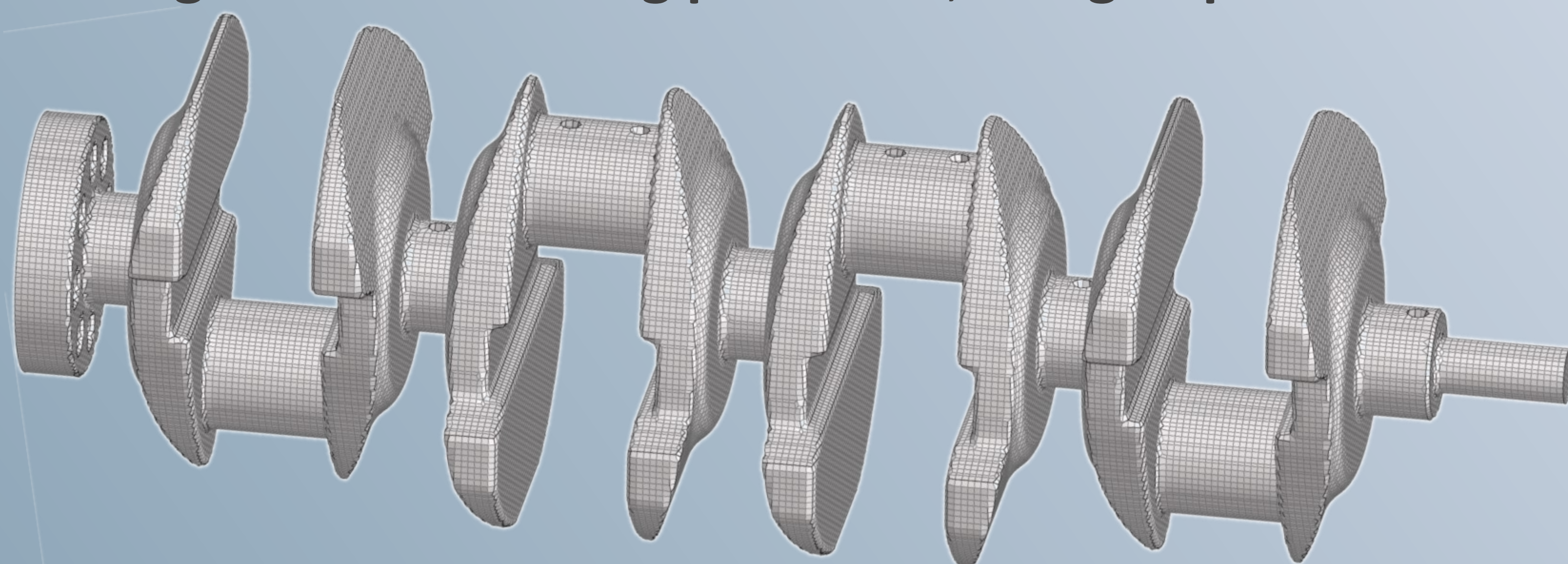


## When to perform TVC?

- **design** of a marine propulsion system
- **validation** of an existing shaft line
- **modification** of an installation
- **integration** of a generator set
- analysis of **abnormal vibratory behavior**

## Numerical simulation & hexahedral meshing

HEXAMECA performs the meshing of **complex parts** using **hexahedral elements**, as well as numerical simulations: **structural analysis, forming & manufacturing processes, design optimisation**



## Custom engineering tools

Development of dedicated digital tools aimed at automating processes, predicting behaviours and optimising design

**HEXAMECA**

[contact@hexameca.fr](mailto:contact@hexameca.fr) – [www.hexameca.com](http://www.hexameca.com)

+33 (0) 6 84 59 14 40

Espace Teknica – Parc Technologique de Soye, 4 Rue Galilée, 56270 PLŒMEUR, FRANCE